

# DANE COUNTY PARKS

## PAVED REGIONAL TRAIL STANDARD

### POTENTIAL USER GROUPS

- Hiking/Running (Dogs allowed on leash)
- Biking
- Rollerblading & Roller Skiing

### TREAD WIDTH

- 10' Paved, 1' Shoulders Minimum
- 12' Paved, 1' Shoulders Desirable

### TRAIL CORRIDOR WIDTH

- 50' or Greater Desirable



### REGIONAL DEFINITION

- Included on Adopted State/County/MPO/Regional Trail Plan
- Serves multiple jurisdictions
- Promotes connectivity to other regional trail systems
- Meets regional trail construction standards

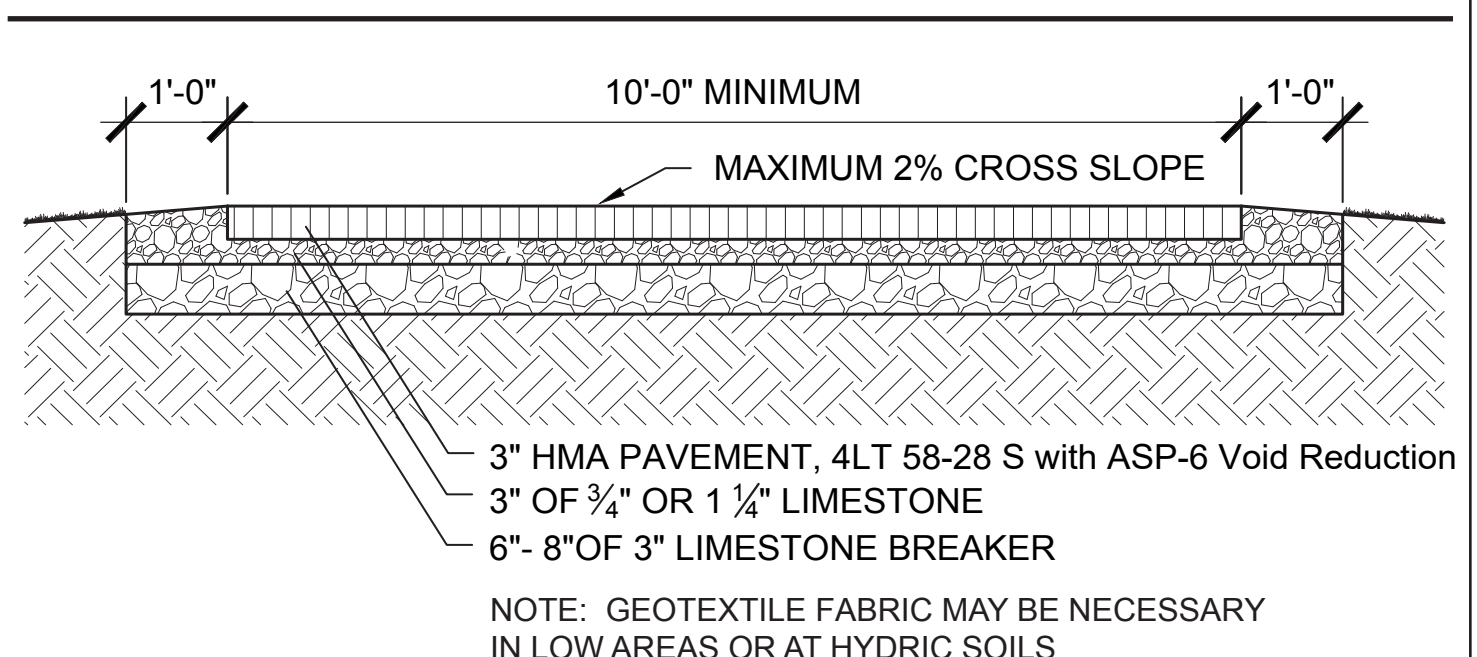
### TRAIL STANDARDS

- Follow latest version WisDOT Bicycle Facility Handbook guidelines to the extent possible.

### FEES

- State Trail Pass required if included in State Trail Plan Network
- County may investigate seamless trail pass fee system with local units of government

### PAVED TRAIL DETAIL



H:\Parks\Mapping\CAD\ParkDevelopmentSpecifications\09042014\_PavedTrailSpecs.dwg

\* Variation from design standards may occur in certain circumstances